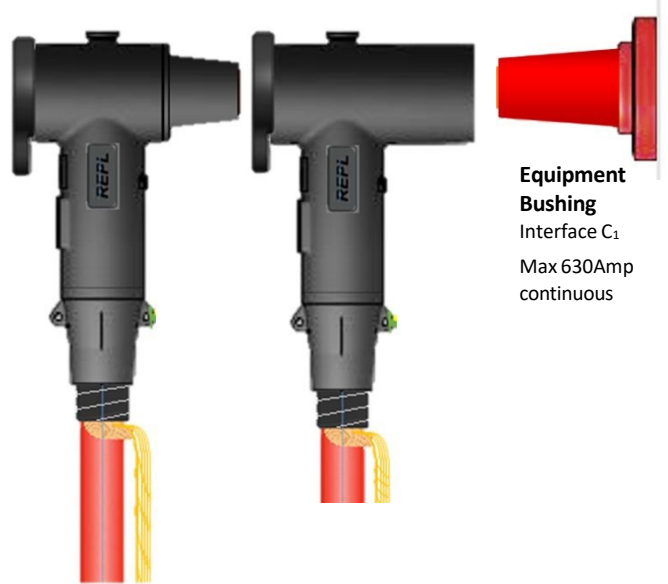


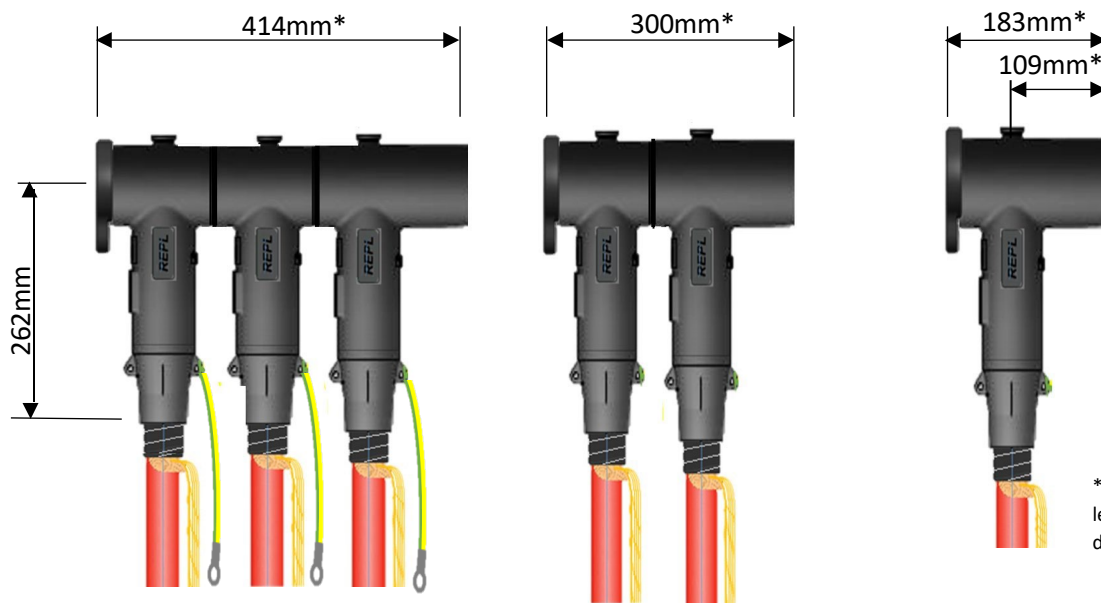
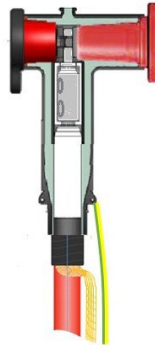
RCPT-36A / RPBCT-36A

- Continuous current 630 A
(900 A overload for 8 hours)
- Conforms to **HD 629.1** and **IEC60502-4**
- No minimum phase clearance requirements
- Compact design – asymmetrical body allows minimum depth of connection – especially when multiple connections are used
- Mounting can be vertical, horizontal, or any angle in between
- Suitable for Copper or Aluminium Conductors from 70-400mm²
- Integrated mechanical screw type lug
- EPDM moulded body with semi-conductive outer layer
- Easy to install with comprehensive instructions included in each kit
- Each connector body is factory tested for partial discharge and AC withstand to ensure 100% reliability
- Using the branch connector **RPBCT-36A** enables up to 2 additional connections to be made onto the bushing



Kit Contents:

- Set of 3 Separable Connector / Branch bodies & insulating back plug
- Set of 3 Silicon Stress control elements
- Set of 3 mechanical type lug & connecting stud
- Earthing Connections & Mastic Sealant
- Installation material and instructions



*add 100mm on to the length to allow for disconnection

REPL reserve the right to update the information contained in this document at any time without notice. It is the user's responsibility to ensure it is suitable for the intended application. Any implied warranty relating to fitness for a particular purpose are explicitly excluded unless agreed in writing by REPL.

©REPL 2023

RCPT-36A / RPBCT-36A

RPBCT-36A Base Kit

Comprising:

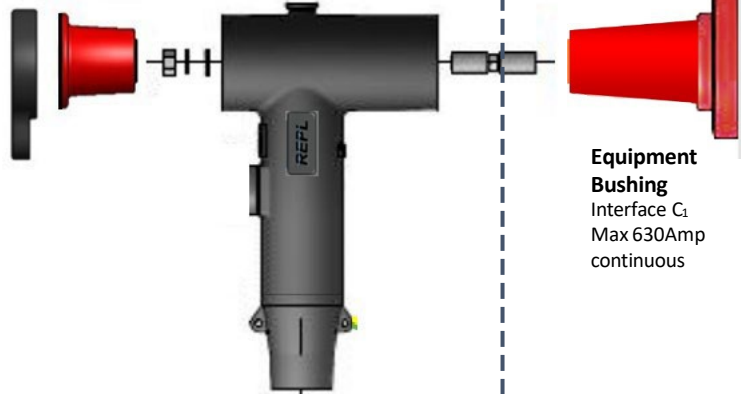
- EPDM branch body
- M16 extension stud
- Earth lead
- Mastics/Tapes
- Sealing tubes



RPCT-36A Base Kit

Comprising:

- EPDM body
- Back-plug assembly
- M16 connection stud
- Earth lead
- Mastics/Tapes
- Sealing Tubes

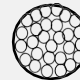


Equipment Bushing
Interface C₁
Max 630Amp
continuous

Cable Insulation Adaptor Selection

Adaptor Code	Diameter Range of Cable Insulation mm
A	16.3 – 19.3
B	18.3 – 21.0
C	20.0 – 24.1
D	23.1 – 27.0
E	25.6 – 29.0
F	27.7 – 32.6
G	30.9 – 36.2
H	34.0 – 39.5

Cable Lug Selection

Lug Code	Class 2 Stranded Conductor Range – mm ²	Class 1 Solid Conductor Range – mm ²
		
RMVL-C-25-95/35	25 - 95	35 - 120
RMVL-C-35-150/35	35 - 150	35 - 150
RMVL-C-70-240/35	70 - 240	95 - 300
RMVL-C-120-300/35	120 - 300	150 - 400
RMVL-C-240-400/35	240 - 300	240 - 400

Kit Selection:

Add appropriate adaptor code to match the cable insulation diameter and lug cross section to end of base kit code, i.e.

RPCT-36A-B-70-240 = 36kV compact connector with adaptor B of insulation diameter 18.3 to 21mm, and cable lug for cross sections between 70-240mm²

RPBCT-36A-E-120-300 = 36kV compact branch connector with adaptor E of insulation diameter 25.6 to 29mm, and cable lug for cross sections between 120-300mm²

- For cables with copper tape screen and wire armours, additional material is required – see earthing kits.
- For three core cables, an additional trifurcating module may be required.
- For outdoor installation, additional heat shrink or cold shrink sealing tubes can be fitted below the connector to enhance the moisture seal.

REPL reserve the right to update the information contained in this document at any time without notice. It is the user's responsibility to ensure it is suitable for the intended application. Any implied warranty relating to fitness for a particular purpose are explicitly excluded unless agreed in writing by REPL.

©REPL 2023